

NEXEN

INSTALLATION GUIDE



EVERYDAY ELEVATED





STEP 1

PLANNING AS EASY AS 1, 2 3

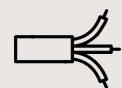
You've taken the first step of looking into a clutter-free solutions for your home or office space. Now what?

Planning out where to install a Power e-Bar can be tricky—but it doesn't have to be. Get started with this simple guide.



Space for more

Whether for an office or home, our Power e-Bars are versatile enough to be installed in virtually any space. Customisations for length are available at an added cost. Have an interior designer? Our team of design consultants can work with them to better meet your needs too.



Get Trunking

Mark out the closest electrical points to the chosen areas. Or simply take photos of your preferred areas for the power tracks and their nearest electrical points. Our electrician will make recommendations accordingly.



Measure Up

Decide on which areas of your home or office you want the power tracks installed, then use a measuring tape to find out how much space you'll need to accommodate them.

You should also consider if you want the Power e-Bars mounted or concealed in a recessed space.



Think Bigger

Looking to conceal your Power e-Bars? Now's your chance to get creative. Fit them under a tabletop, within a cupboard, or wherever takes your fancy. If you're in need of help, simply get in touch with our team of consultants for their friendly expertise.

STEP 2

PLACE YOUR ORDER ONLINE

You've laid the groundwork! You now have two options.

You can either order your Power e-Bars at our online store, or get some recommendations from our team before proceeding with your purchase.

If you opt for the first option, do keep in mind you'll have to install the Power e-Bars yourself.

STEP 3

ARRANGE FOR A HOUSE VISIT

Still on the fence, or in need of more advice?

Get in touch with us to arrange for a consultation—whether in the comfort of your home or down at the NEXEN design showroom. Our consultants will tackle your biggest concerns and table out a plan to ensure everything fits.

If you're popping by our showroom, feel free to bring along floor plans of your home, and images of the areas you plan to install the Power e-Bars. This service is complimentary.



INSTALLING THE NEXEN SLIM & PRO SURFACE E-BAR

1 – GENERAL

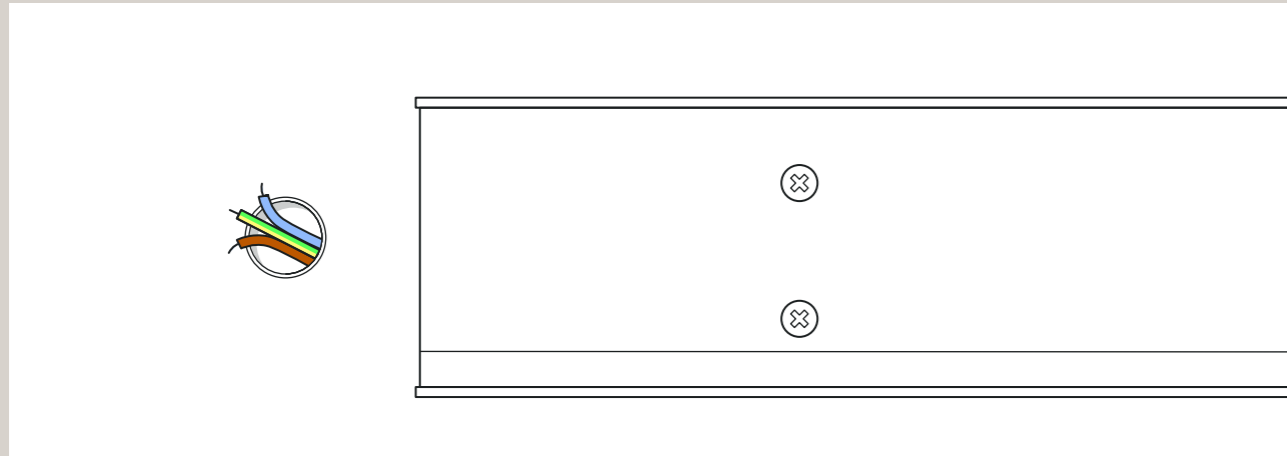
- Identify the Right and Left End Terminal

2 – PREPARING THE SPACE FOR INSTALLATION

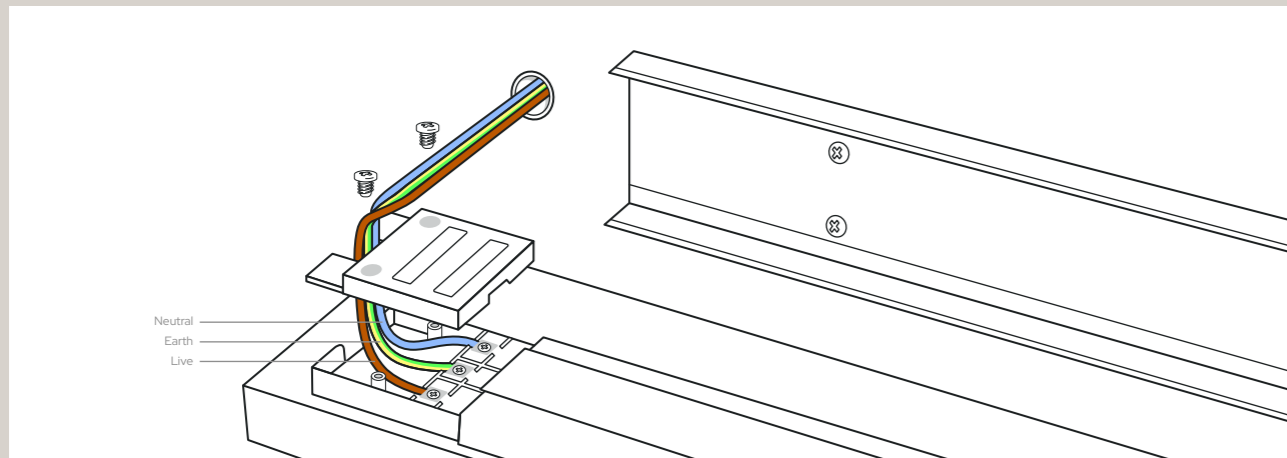
- Installation surface should be flat and free of any obstructions.
- The electrical wire point should be within the installation location. The wire point should be within the intended installation area, not above, below or outside of it.
- If the electrical point is outside of the installation location, additional drilling or cutting work will need to be done to relocate the electrical wires. In some cases where it is a simple wall and our installer has the tools, we can do it. In other cases involving feature walls etc, the cutting work has to be done by your external contractor.



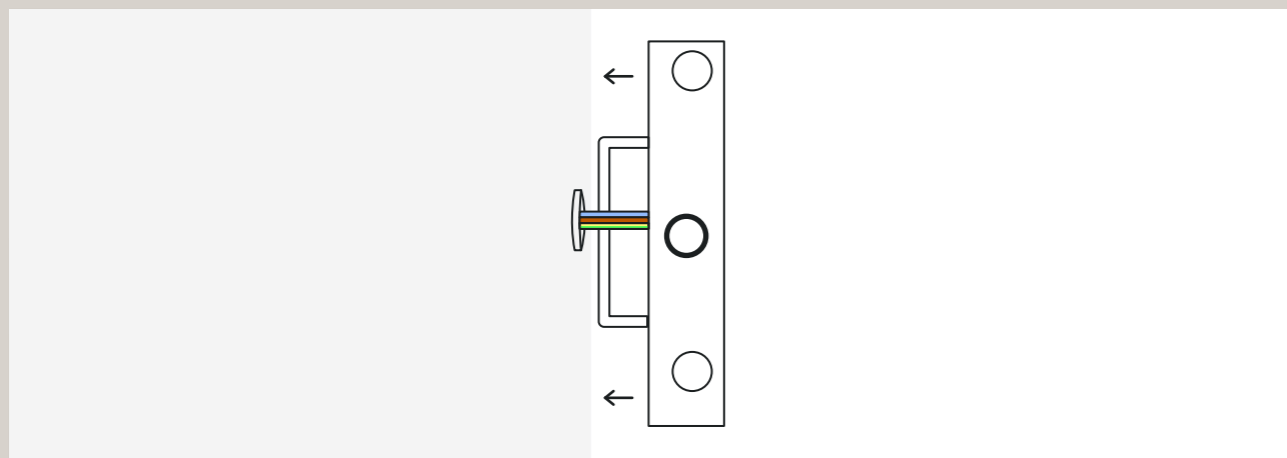
HOW TO INSTALL NEXEN SLIM SURFACE



1 Screw holes in the wall and mount backplate.

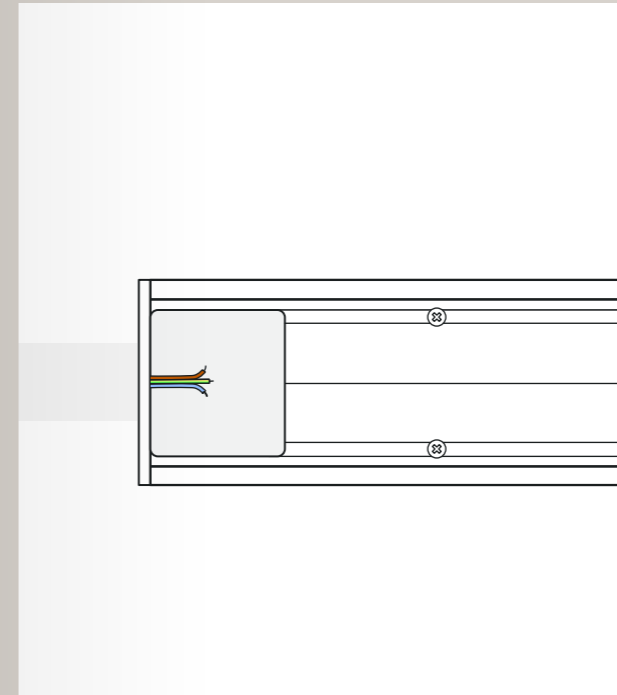


2 Open terminal and connect wiring to terminal.

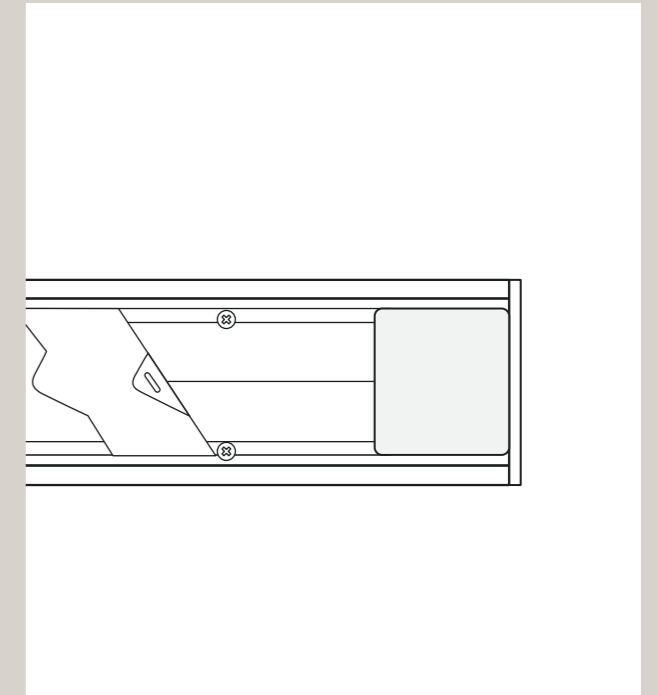


3 Align the track to backplate and press down to secure the track to backplate.

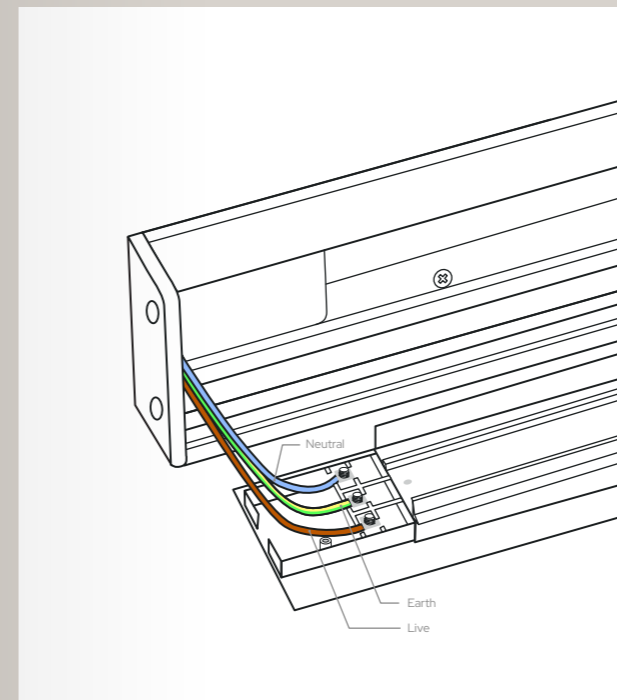
HOW TO INSTALL NEXEN PRO SURFACE



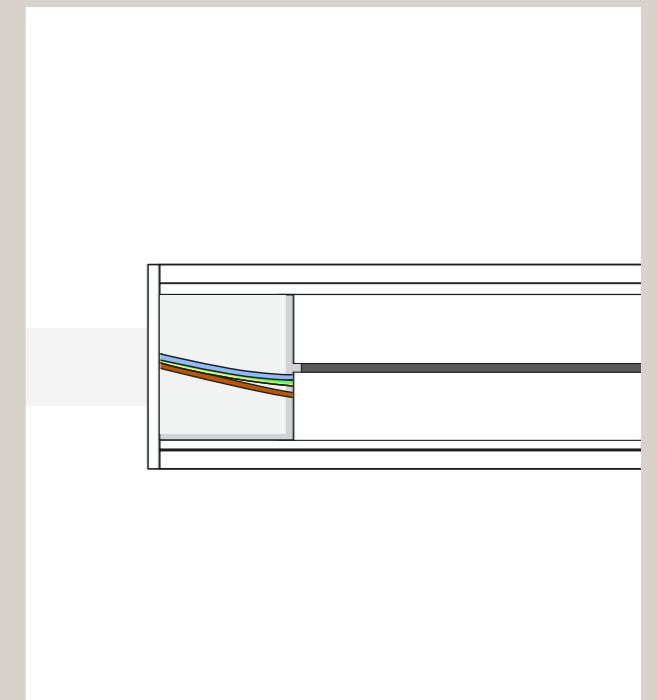
1 Remove the Terminal Plate and e-Bar Core from the housing.



2 Place & spread the e-Bar back clip evenly in pairs along the housing ensuring the e-Bar is secured tightly and evenly



3 Open the End Terminal and connect the "Live Earth and Neutral" wiring.



4 Clip on the e-Bar core to the housing and then insert the Terminal Plate.



INSTALLING THE NEXEN SLIM & PRO RECESSED E-BAR

1 – GENERAL

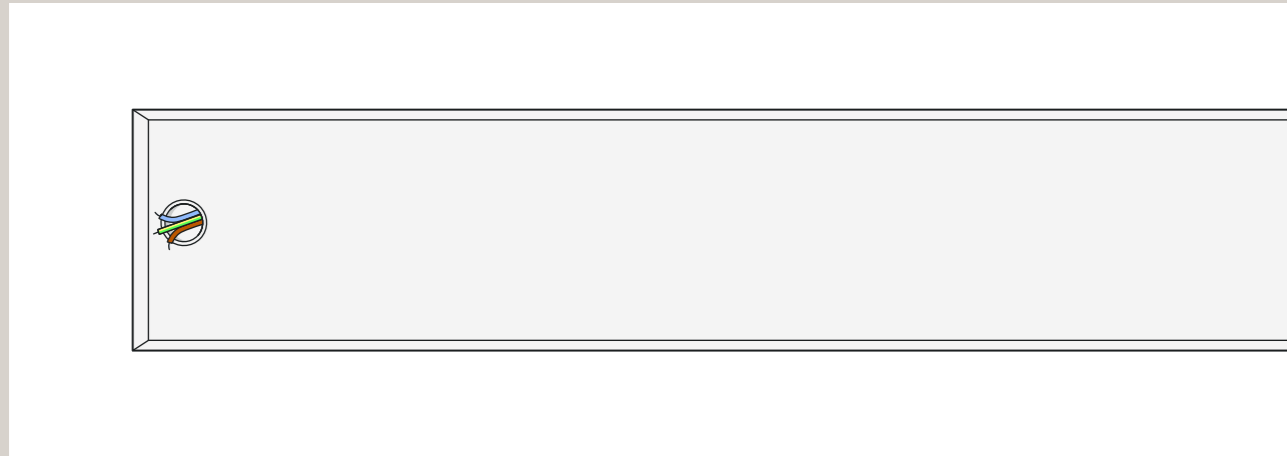
- Identify the Right and Left End Terminal

2 – PREPARING THE SPACE FOR INSTALLATION

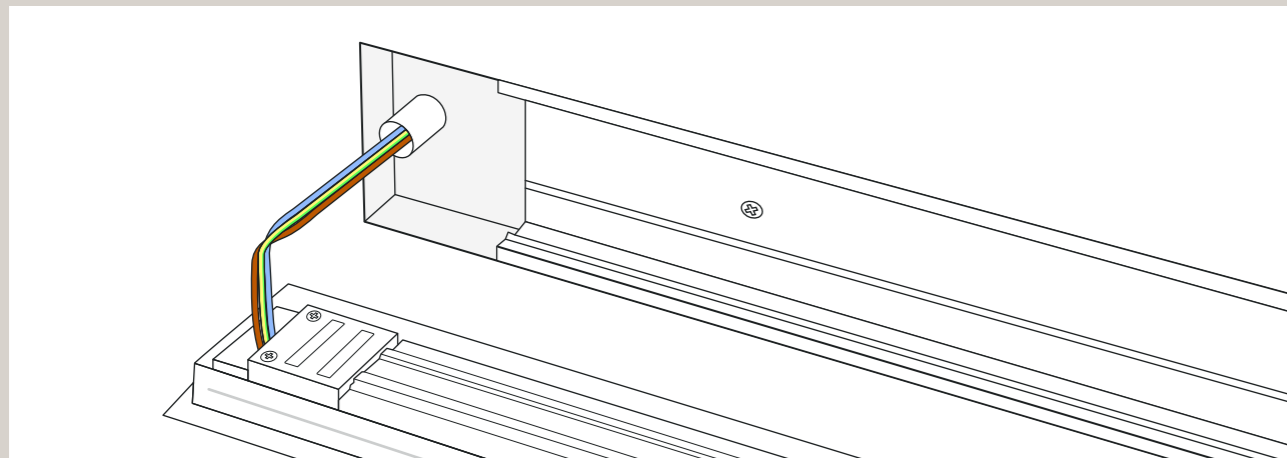
- For all recessed bars, electrical source should be near to the installation location, such that the electrical wires can be connected to the bar's terminal. Internal sides of the cutout should be sturdy enough for simple drilling.
- **NEXEN Pro Recessed**
Cutout in the wall or furnishing needs to be done out based on the following dimensions:
L = Length of e-Bar + 10mm | W = 71mm | D = 35mm
- **NEXEN Slim Recessed**
Cutout in the wall or furnishing needs to be done out based on the following dimensions:
L = Length of e-Bar + 10mm | W = 71mm | D = 25mm



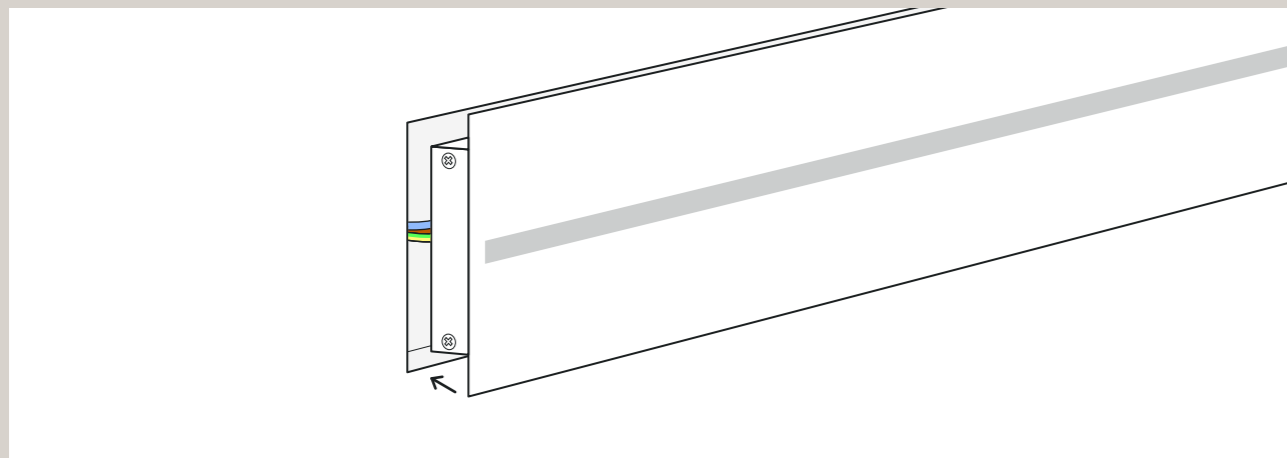
HOW TO INSTALL NEXEN SLIM RECESSED



1 Create recessed slot.

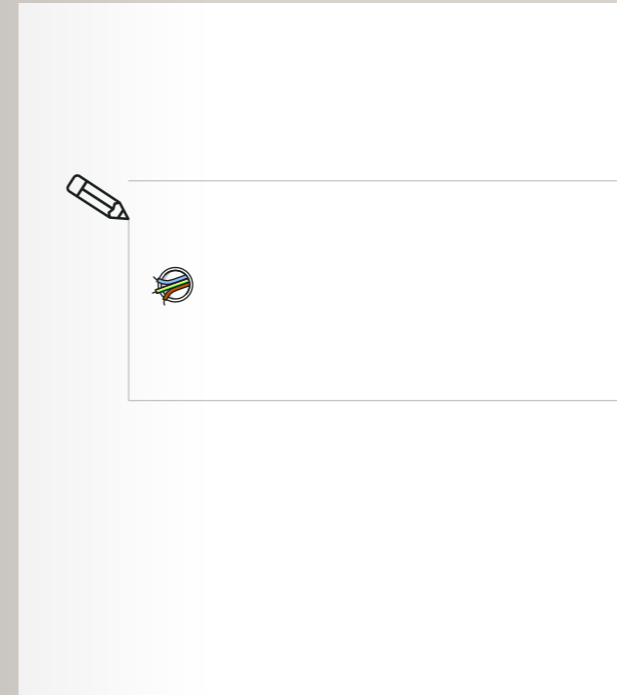


2 Install backplate in slot and open terminal and connect wiring to terminal.

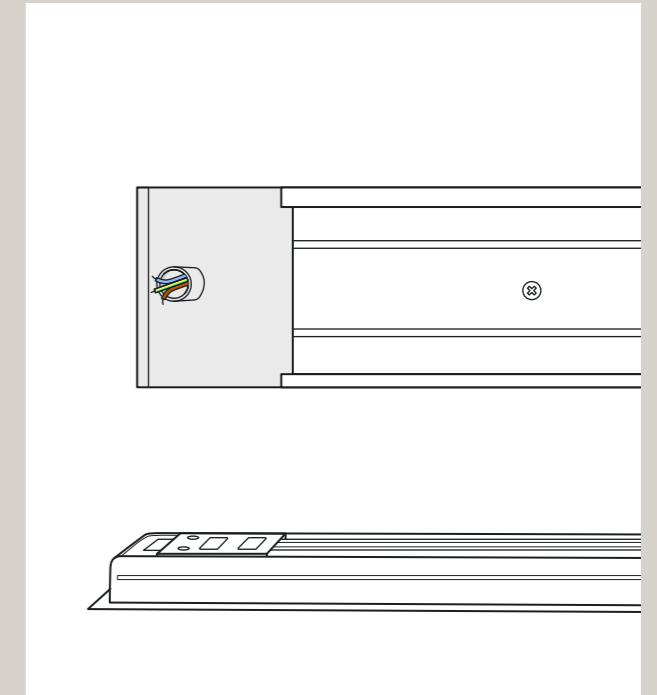


3 Align the track to slot and press down to secure it.

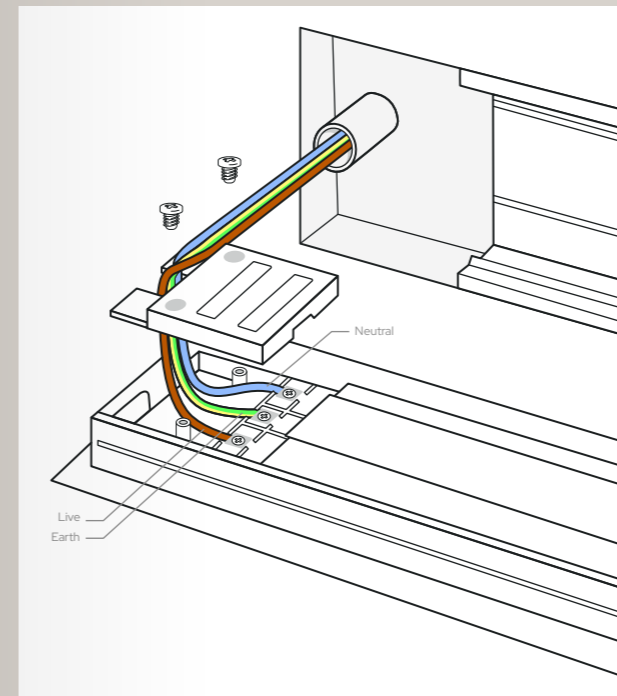
HOW TO INSTALL NEXEN PRO RECESSED



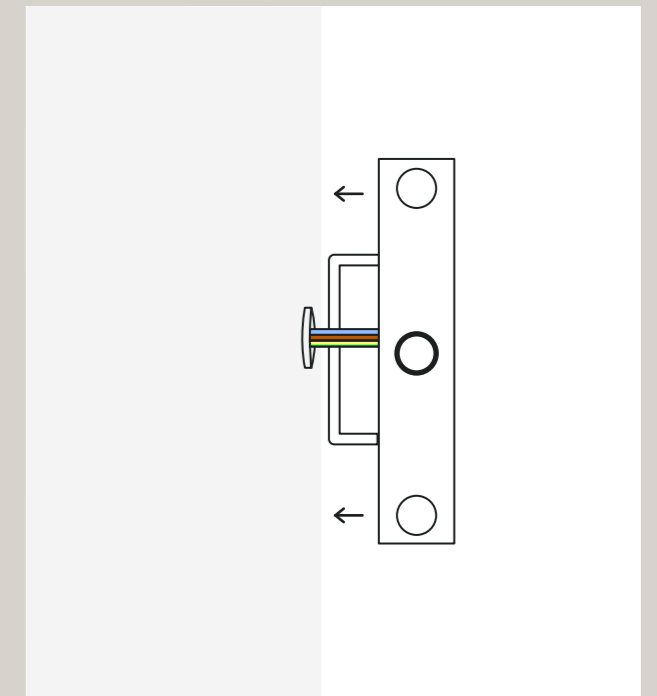
1 Create slot in the surface.



2 Install the recessed housing into the slot.



3 Open end terminal and connect the wiring to the end terminal.



4 Secure the track core into the housing.

NEXEN

SLIM INDEPTH INSTALLATION GUIDE



EVERYDAY ELEVATED





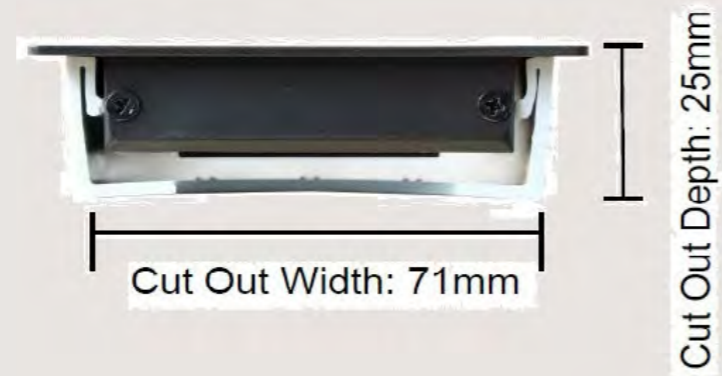
BEFORE INSTALLATION

UNDERSTANDING THE SLIM SERIES CROSS SECTION

SLIM SURFACE



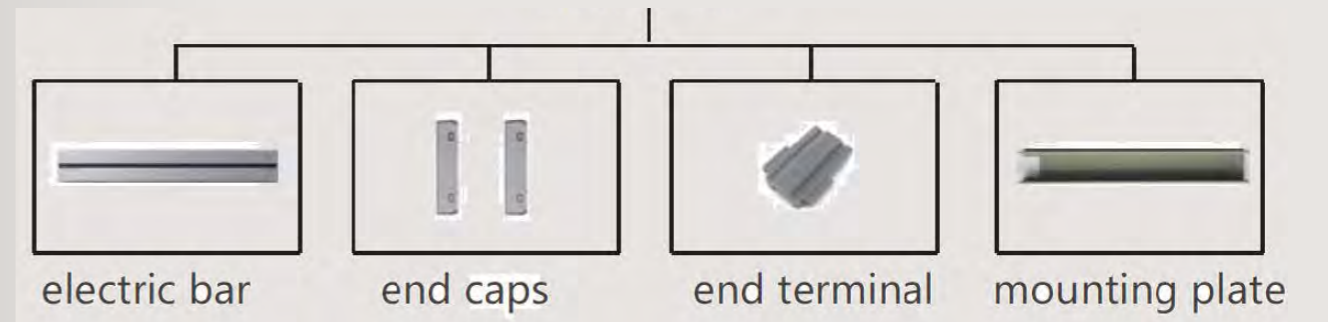
SLIM RECESSED



BEFORE INSTALLATION

UNDERSTANDING THE SLIM SERIES BREAK DOWN PARTS

NEXEN SLIM SURFACE





INSTALLING THE NEXEN SLIM SURFACE E-BAR

1 – GENERAL

- Identify the Right and Left End Terminal

2 – PREPARING THE SPACE FOR INSTALLATION

- Installation surface should be flat and free of any obstructions.
- The electrical wire point should be within the installation location. The wire point should be within the intended installation area, not above, below or outside of it.
- If the electrical point is outside of the installation location, additional drilling or cutting work will need to be done to relocate the electrical wires. In some cases where it is a simple wall and our installer has the tools, we can do it. In other cases involving feature walls etc, the cutting work has to be done by your external contractor.



HOW TO INSTALL

NEXEN SLIM SURFACE



- 1 Remove the mounting plate from the packaging.



- 2 Position the mounting plate about 5.5cm from the position where the "Live, Earth and Neutral" wires are located



- 3 Mark out the screw holes of the mounting plate



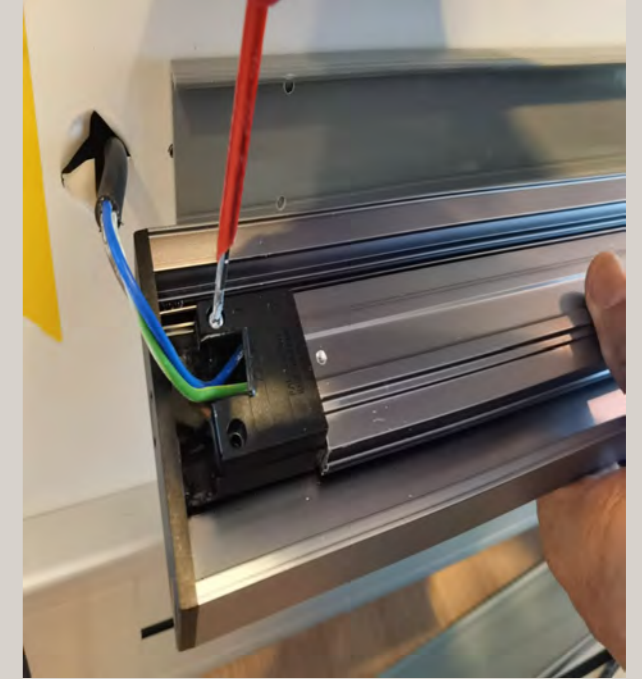
- 4 Fix the mounting plate to the surface

HOW TO INSTALL

NEXEN SLIM SURFACE



- 5 Insert the Electric cables to the "Live", "Earth", "Neutral" part of the end terminal as per indicated



- 6 Tighten the Electric cables to & screw on the terminal cap tightly



- 7 Mount the Slim Surface Power Track onto the mounting plate



- 8 Push the electric bar into the mounting plate by hand to complete the installation.



INSTALLING THE NEXEN SLIM RECESSED E-BAR

- Identify the Right and Left End Terminal

2 – PREPARING THE SPACE FOR INSTALLATION

- For all recessed bars, electrical source should be near to the installation location, such that the electrical wires can be connected to the bar's terminal. Internal sides of the cutout should be sturdy enough for simple drilling.
- **NEXEN Slim Recessed**
Cutout in the wall or furnishing needs to be done out based on the following dimensions:
L = Length of e-Bar – 10mm | W = 71mm | D = 25mm



HOW TO INSTALL

NEXEN SLIM RECESSED



1 Remove the mounting plate from the packaging.



2 Insert the mounting plate into the cut out hole, making sure the "Live, Earth and Neutral" wires are inserted into the curved portion of the plate.



3 Identify the screw holes of the mounting plate and make sure they are aligned to the surface properly



4 Fixed on the mounting plate onto the surface by drilling the screws into the screw holes

HOW TO INSTALL

NEXEN SLIM RECESSED



5 Insert and tighten the Electric cables to the "Live", "Earth", "Neutral" part of the end terminal as per indicated and screw on the end terminal cap



6 Push the Slim Recessed E-Bar into the mounting plate by hand



7 Installation is finished once the recessed e-Bar is fitted nicely on the mounting plate within the cutout hole

NEXEN

PRO INDEPTH
INSTALLATION GUIDE

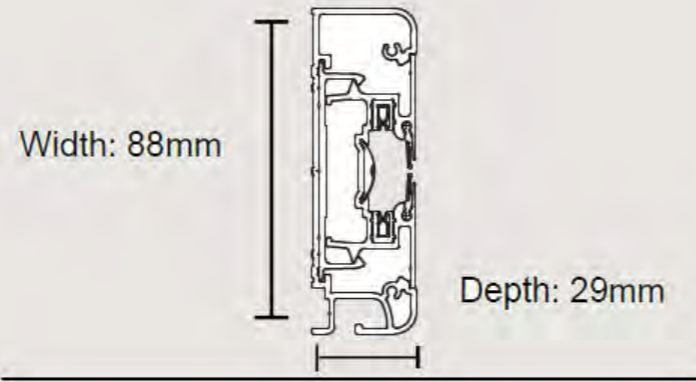


EVERYDAY ELEVATED

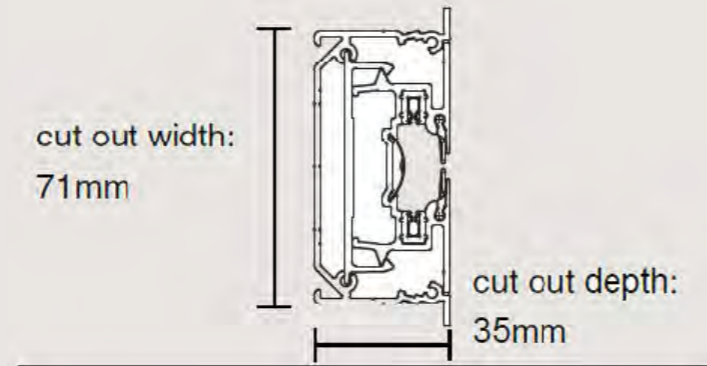


✕ **BEFORE INSTALLATION**
UNDERSTANDING THE PRO SERIES CROSS SECTION

PRO SURFACE

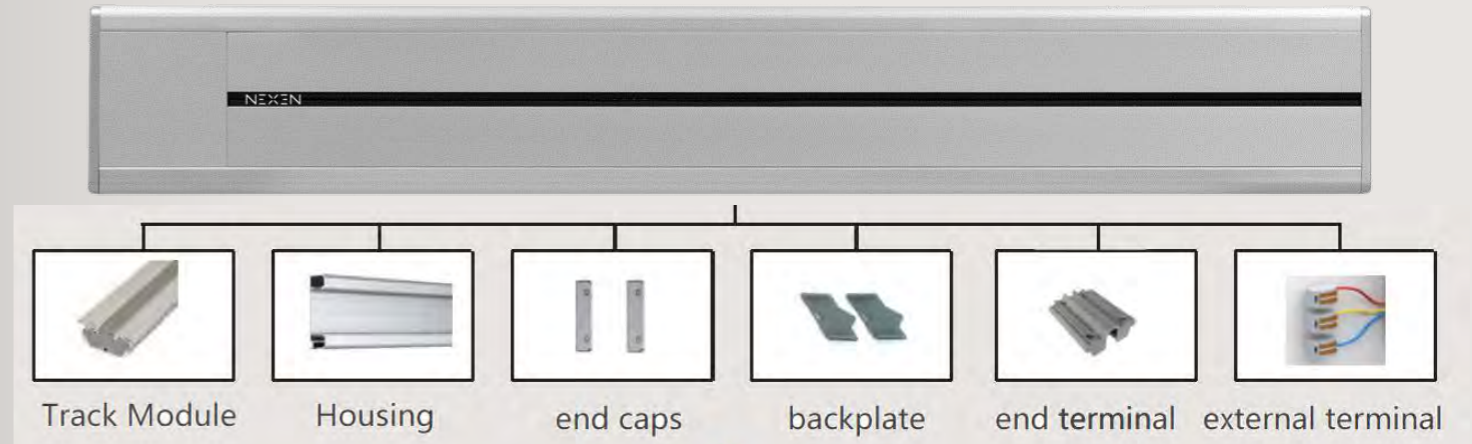


PRO RECESSED



BEFORE INSTALLATION
UNDERSTANDING THE PRO SERIES BREAK DOWN PARTS

NEXEN PRO SURFACE





INSTALLING THE NEXEN PRO SURFACE E-BAR

1 – GENERAL

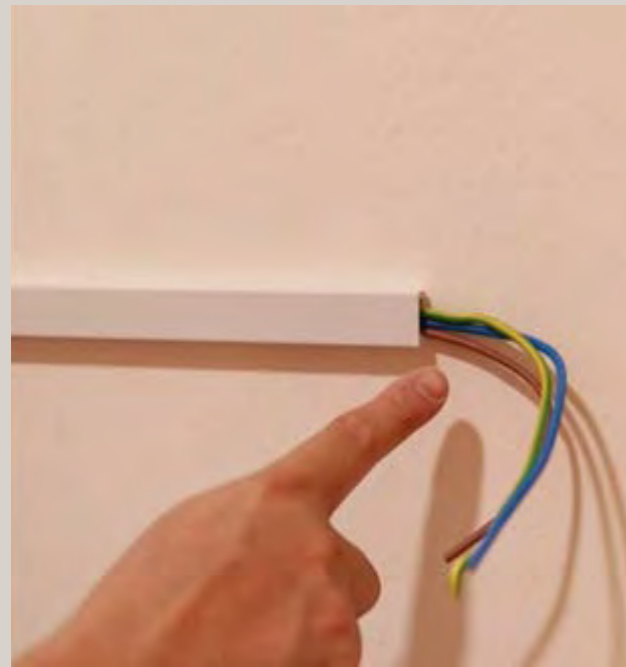
- Identify the Right and Left End Terminal

2 – PREPARING THE SPACE FOR INSTALLATION

- Installation surface should be flat and free of any obstructions.
- The electrical wire point should be within the installation location. The wire point should be within the intended installation area, not above, below or outside of it.
- If the electrical point is outside of the installation location, additional drilling or cutting work will need to be done to relocate the electrical wires. In some cases where it is a simple wall and our installer has the tools, we can do it. In other cases involving feature walls etc, the cutting work has to be done by your external contractor.



HOW TO INSTALL
NEXEN PRO SURFACE



1 Please ensure that the power cables are prepared at the position where the bar is intended for installation



2 Remove the Terminal Plate



3 Pull Up to unclip the Power Track Core from the housing



4 Place the Power Track housing over the power cables at the desired height.

HOW TO INSTALL
NEXEN PRO SURFACE



5 Using the water or spirit level tool, mark out the positions on the wall to install the wall plugs that are used to mount the Power Track housing



6 Using the water or spirit level tool, mark out the positions on the wall to install the wall plugs that are used to mount the Power Track housing



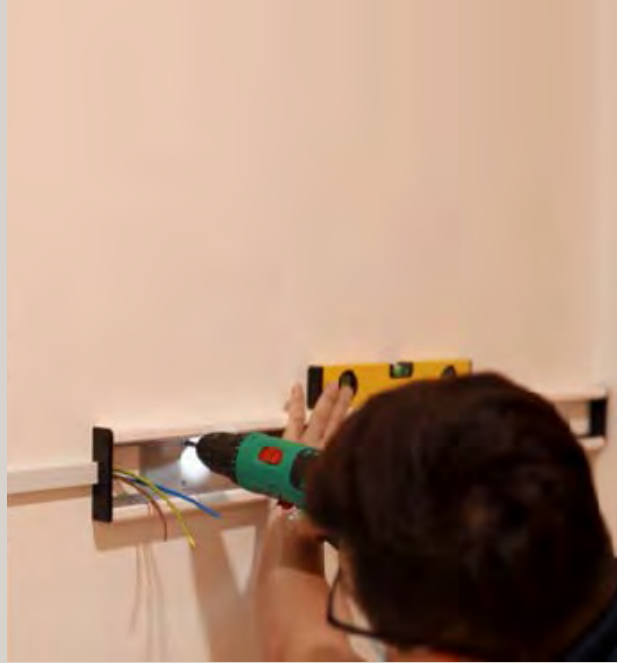
7 Drill and Insert Wall Plugs



8 Place the Power Track housing over the points and once again check using the water or spirit level tool

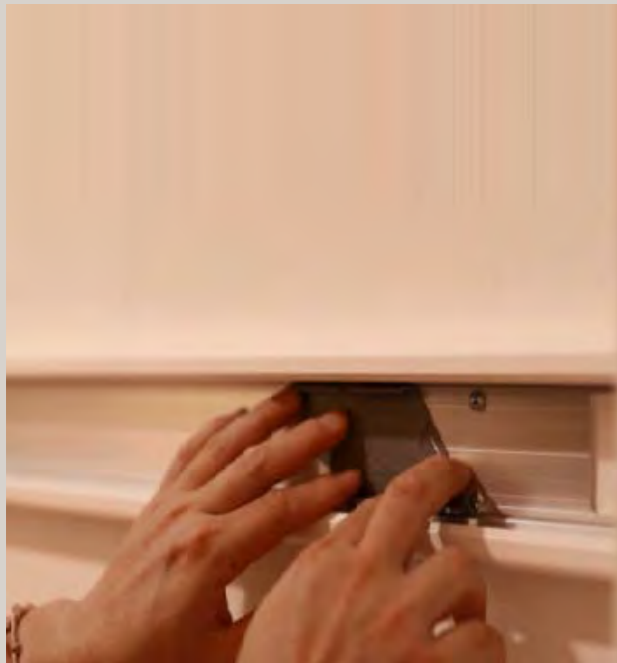


HOW TO INSTALL
NEXEN PRO SURFACE



9 Secure the left side of the Power Track Housing with Wall Screws

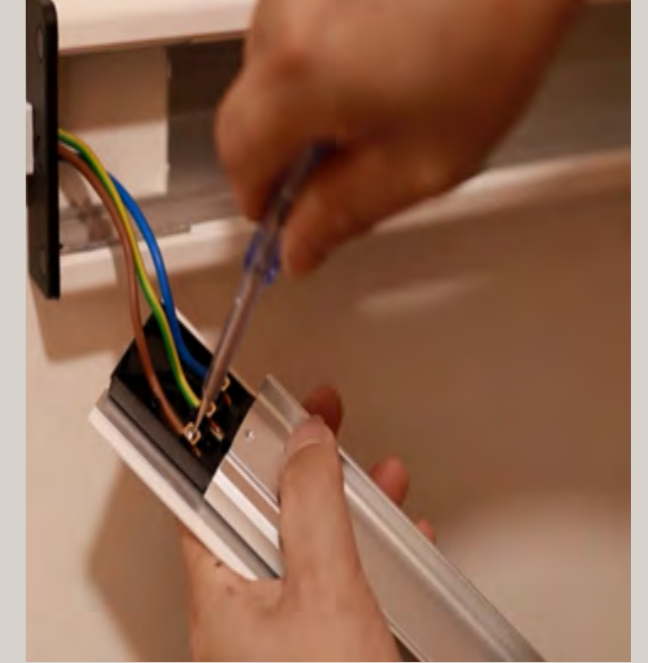
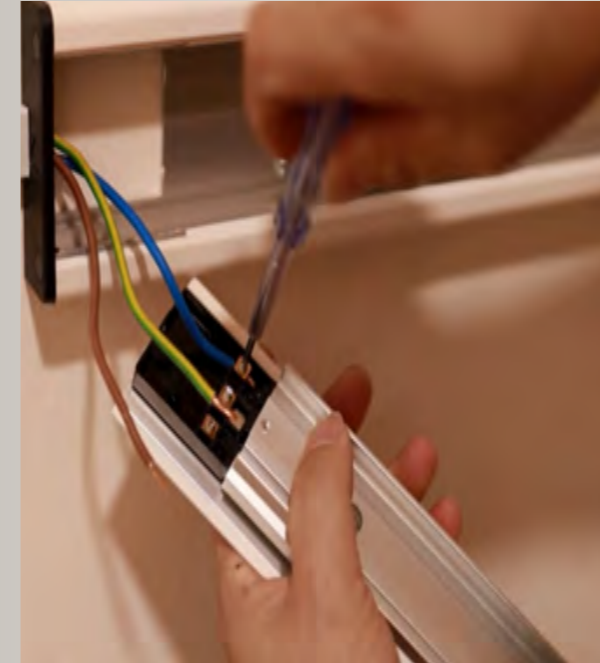
10 Secure the right side of the Power Track Housing with Wall Screws



11 Place & spread the Power Track back clip evenly in pairs along the housing. This is to ensure that the Power Track is secured tightly and evenly

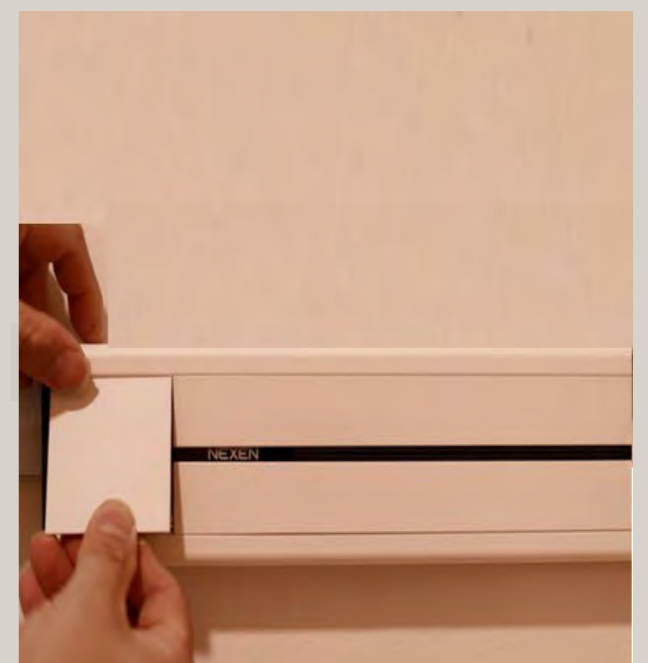
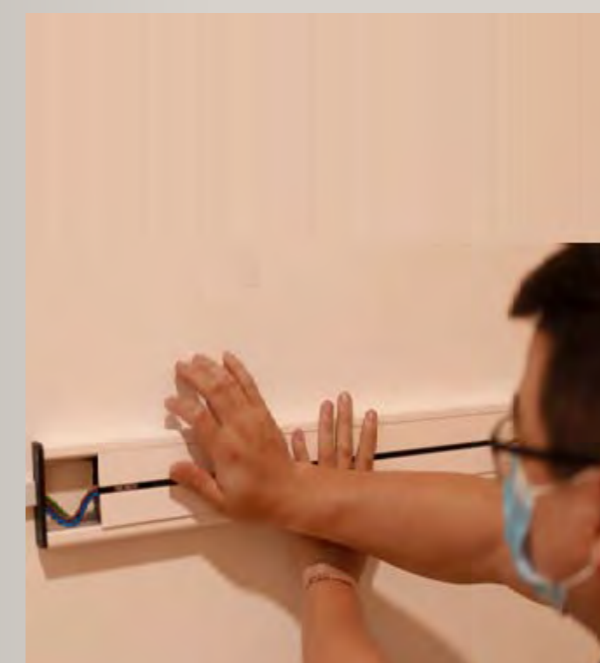
12 Unscrew the Terminal Cap from the Power Track Core

HOW TO INSTALL
NEXEN PRO SURFACE



13 Insert the Electric cables to the "Live", "Earth", "Neutral" part of the end terminal as per indicated

14 Tighten the Electric cables to & screw on the terminal cap tightly



15 Clip on the Power Track core to the housing

16 Reinsert the terminal plate to complete the installation



INSTALLING THE NEXEN PRO RECESSED E-BAR

1 – GENERAL

- Identify the Right and Left End Terminal

2 – PREPARING THE SPACE FOR INSTALLATION

- For all recessed bars, electrical source should be near to the installation location, such that the electrical wires can be connected to the bar's terminal. Internal sides of the cutout should be sturdy enough for simple drilling.
- **NEXEN Pro Recessed**
Cutout in the wall or furnishing needs to be done out based on the following dimensions:
L = Length of e-Bar + 10mm | W = 71mm | D = 35mm



HOW TO INSTALL

NEXEN PRO RECESSED



- 1 Insert Pro Recessed Track Housing into the recessed cutout hole and slot the loose wire into the track housing.



- 2 Tighten the screws on the left side to secure the Pro Recessed Track Housing



- 3 Tighten the screws on the right side to secure the Pro Recessed Track Housing



- 4 Attach backplates to the Pro Recessed Track Housing

HOW TO INSTALL

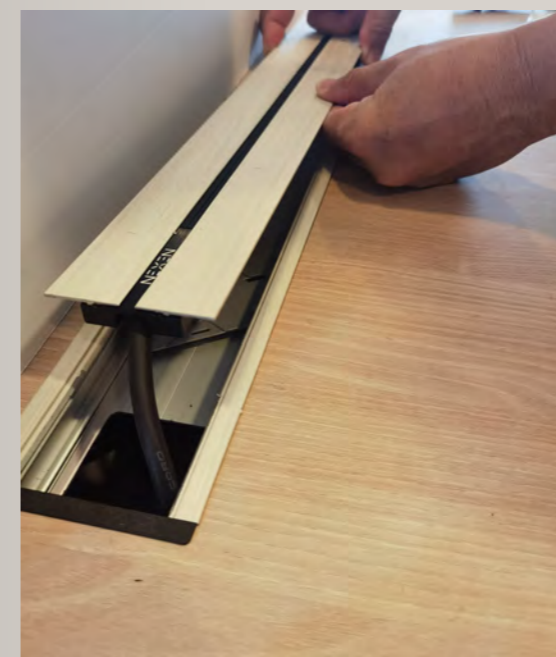
NEXEN PRO RECESSED



- 5 Insert the Electric cables to the "Live", "Earth", "Neutral" as per indicated



- 6 Tighten the Electric cables to & screw on the terminal cap tightly



- 7 Clip on the Power Track core to the housing



- 8 Reinsert the terminal plate to complete the installation

